

# Other Valves

## 기 타 밸브



**글로브 밸브** Globe Valve  
GSO-1F ..... 47



**앵글 밸브** Angle Valve  
ASO-1F ..... 47



**에어벤트** Air Vent  
AWW-1S, AWW-1SB(For Water) 48  
AVS-1S(For Steam) ..... 49  
AVO-1F/2F(For Oil) ..... 49



**에어트랩** Air Trap  
FAT-1S/1F/2F/3F ..... 50



**사이트글라스**  
Sight Glass  
DUG-1S/1F/5F ..... 51



**온도조절밸브**  
Temperature Regulating Valve  
PTR-1F(Pilot Acting) ..... 52  
DTR-1F(Direct Acting) ..... 52

- \* **글로브 밸브(Globe Valve)** 핸들의 작동에 의해 스프링들이 상하로 작동되어 시트가 노출을 막아 개로를 차단하는 밸브
- \* **앵글 밸브(Angle Valve)** 핸들의 작동에 의해 스프링들이 상하로 작동되어 시트가 노출을 막아 개로를 차단하고 출입 유체의 방향이 90°가 되는 밸브
- \* **에어벤트(Air Vent)** 공기 장해를 방지하기 위하여 방열기나 배관 중에 있는 공기를 빼기 위한 목적으로 설치하는 밸브
- \* **에어트랩(Air Trap)** 배관 설비 내에 생기는 응결수 및 혼입하는 공기 압축기의 응축수를 압축 공기로부터 분리시켜 배출하기 위한 자동 밸브
- \* **사이트글라스(Sight Glass)** 유체의 흐름과 누설을 육안으로 확인하는 장치
- \* **온도조절밸브(Temperature Regulating Valve)**  
온수 탱크, 열교환기, 증류 가열기 등의 가열용 유체 공급관 조절부에 삽입하여 일정한 온도 이상이 되면 밸브를 작동시켜 가열용 유체의 유입을 조절하여 피가열체의 온도를 일정하게 유지시키는 밸브

# Other Valves

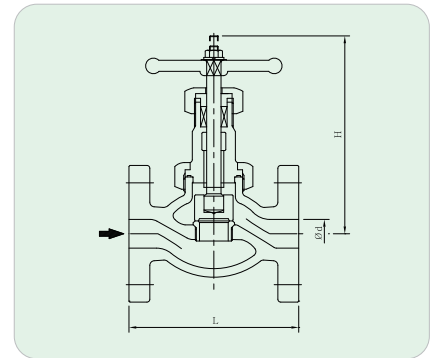
## GSO-1F | 글로브 밸브(Globe Valve)

### ▶ 사양 (Specifications)

Working Pressure (kgf/cm <sup>2</sup> )	16
Design Temperature (°C)	220
Connection	JIS Flanged
Materials	Body : Ductile Iron
	Trim : Stainless Steel

### ▶ 치수 (Dimensions)

Model	Size	d	JIS 5K FF		JIS 16K FF	
			L	H	L	H
GSO-1F	15A	15	100	135	110	135
	20A	20	110	145	120	145
	25A	25	120	167	130	167
	32A	32	140	180	160	180
	40A	40	160	195	180	195



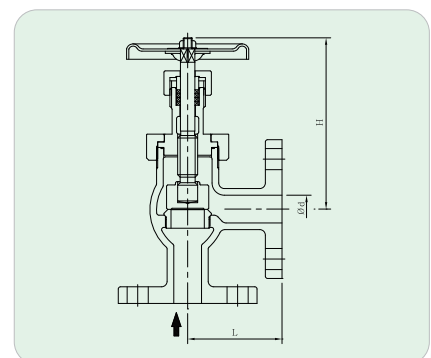
## ASO-1F | 앵글 밸브(Angle Valve)

### ▶ 사양 (Specifications)

Working Pressure (kgf/cm <sup>2</sup> )	16
Design Temperature (°C)	220
Connection	JIS Flanged
Materials	Body : Ductile Iron
	Trim : Stainless Steel

### ▶ 치수 (Dimensions)

Model	Size	d	JIS 5K FF		JIS 16K FF	
			L	H	L	H
ASO-1F	15A	15	50	135	70	135
	20A	20	60	145	75	145
	25A	25	65	167	85	167
	32A	32	80	180	95	180
	40A	40	85	195	100	195



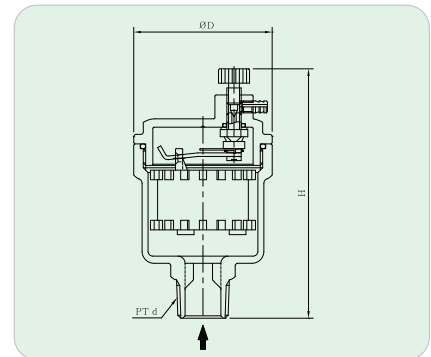
## AVW-1S | 물용 에어벤트(Air Vent for Water)

### ▶ 사양 (Specifications)

Working Pressure (kgf/cm <sup>2</sup> )	10
Design Temperature (°C)	80
Working Fluid	Water
Connection	Male PT Screwed
Materials	Body : Forged Brass + Ni Plate
	Trim : NBR

### ▶ 치수 (Dimensions)

Size	d	L	H	Connection
15A	PT 1/2"	58	105	Male PT Screwed



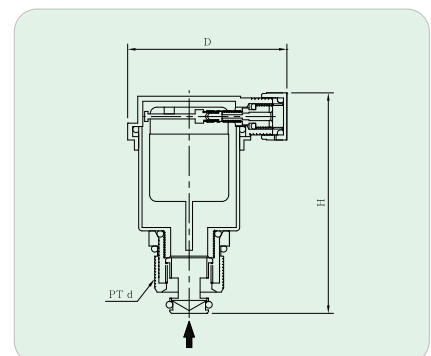
## AVW-1SB | 물용 에어벤트(Air Vent for Water)

### ▶ 사양 (Specifications)

Working Pressure (kgf/cm <sup>2</sup> )	10
Design Temperature (°C)	80
Working Fluid	Water
Connection	Male PT Screwed
Materials	Body : Forged Brass
	Trim : NBR

### ▶ 치수 (Dimensions)

Size	d	L	H	Connection
15A	PT 1/2"	58	65	Male PT Screwed



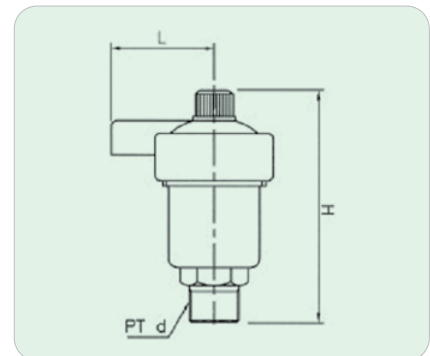
## AVS-1S | 증기용 에어벤트(Air Vent for Steam)

### ▶ 사양 (Specifications)

Working Pressure (kgf/cm <sup>2</sup> g)	10
Design Temperature (°C)	220
Working Fluid	Steam
Connection	Male PT Screwed
Materials	Body : Forged Brass + Ni Plate
	Trim : Wax

### ▶ 치수 (Dimensions)

Size	d	L	H	Connection
15A	PT 1/2"	30	75	Male PT Screwed



## AVO-1F/2F | 오일용 에어벤트(Air Vent for Oil)

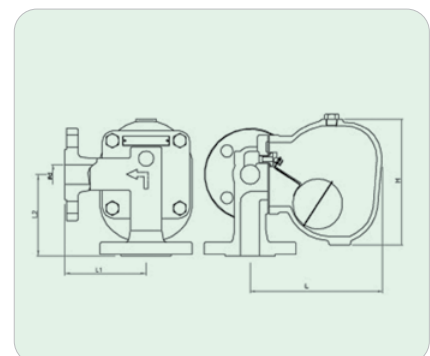
### ▶ 사양 (Specifications)

Model	AVO-1F	AVO-2F
Working Pressure (kgf/cm <sup>2</sup> g)	10	20
Design Temperature (°C)	220	220
Working Fluid	Oil, Water	Oil, Water
Connection	JIS 5K, 10K, 16K Flanged	JIS 5K, 10K, 16K, 20K Flanged
Materials	Body : Ductile Iron	Body : Cast Steel
	Trim : Stainless Steel	Trim : Stainless Steel

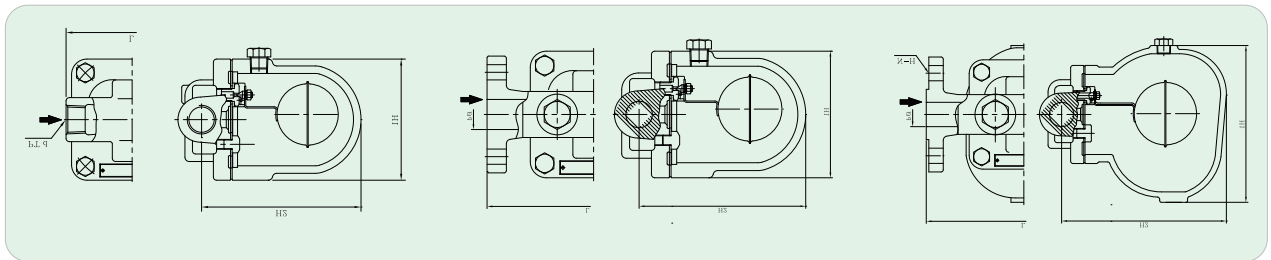
### ▶ 치수 (Dimensions)

Size	L	L1	L2	H	Connection
15A	220	105	105	185	JIS 16K, 20K Flanged
20A	220	105	105	185	
25A	220	105	105	185	

※AVO-2F 주문에 따라 스테인레스 재질로 제작할 수 있습니다.



## FAT-1S/1F/2F/3F | 에어트랩(Auto Air Trap)



### ▶ 사양 (Specifications)

Model	FAT-1S	FAT-1F	FAT-2F	FAT-3F
Working Pressure (kgf/cm <sup>2</sup> g)	10	10	20	30
Design Temperature (°C)	100	100	100	100
Connection	Female PT Screwed	JIS Flanged	JIS Flanged	JIS Flanged
Materials	Body : Ductile Iron	Body : Ductile Iron	Body : Cast Steel Stainless Steel	Body : Cast Steel Stainless Steel
	Trim : Stainless Steel	Trim : Stainless Steel	Trim : Stainless Steel	Trim : Stainless Steel

### ▶ 치수 (Dimensions)

Model	Size	d	L	H1	H2	Connection
FAT-1S	15A	PT 1/2"	120	110	170	Female PT Screwed
	20A	PT 3/4"	120	110	170	
	25A	PT 1"	120	195	220	
FAT-1F	15A	15	205	110	155	JIS 10K Flanged
	20A	20	205	110	155	
	25A	25	215	185	190	
FAT-2F	15A	15	205	185	190	JIS 10K, 20K Flanged
	20A	20	205	185	190	
	25A	25	215	185	190	
FAT-3F	15A	15	205	185	190	JIS 30K Flanged
	20A	20	205	185	190	
	25A	25	215	185	190	

※FAT-2F/3F 주문에 따라 스테인레스 재질로 제작할 수 있습니다.

※FAT-2F/3F 주문에 따라 ANSI, DIN 플랜지로 제작할 수 있습니다.

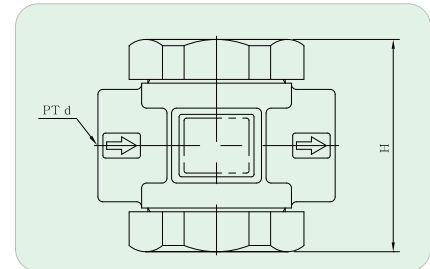
## DUG-1S | 사이트 글라스(Sight Glass)

### ▶ 사양 (Specifications)

Working Pressure (kgf/cm <sup>2</sup> )	10
Design Temperature (°C)	150
Type	Flapper
Connection	Female PT Screwed
Materials	Body : Ductile Iron
	Trim : Stainless Steel

### ▶ 치수 (Dimensions)

Size	d	L	H
15A	PT 1/2"	90	85
20A	PT 3/4"	90	85
25A	PT 1"	90	85



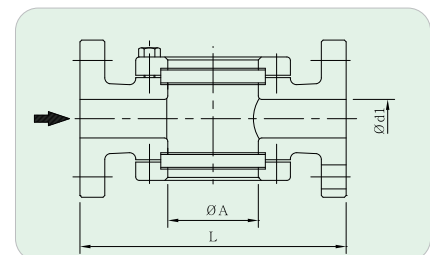
## DUG-1F | 사이트 글라스(Sight Glass)

### ▶ 사양 (Specifications)

Working Pressure (kgf/cm <sup>2</sup> )	10
Design Temperature (°C)	150
Type	Flapper
Connection	JIS 10K Flanged
Materials	Body : Ductile Iron
	Trim : Stainless Steel

### ▶ 치수 (Dimensions)

Size	d	L	A	Size	d	L	A	Connection
15A	15	150	40	32A	32	175	65	
20A	20	150	40	40A	40	200	65	
25A	25	170	50	50A	50	220	80	



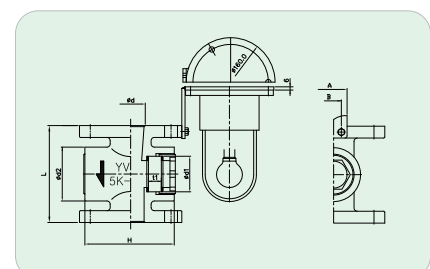
## DUG-5F | 사이트 글라스(Sight Glass)

### ▶ 사양 (Specifications)

Working Pressure (kgf/cm <sup>2</sup> )	5
Design Temperature (°C)	150
Working Fluid	Water, Oil
Connection	JIS 5K Flanged
Materials	Body : Cast Iron
	Trim : Heat Treatment Glass

### ▶ 치수 (Dimensions)

Size	d	H	L	Size	d	H	L	Connection
25A	25	86	90	100A	100	178	210	
40A	40	102	100	125A	125	208	245	
50A	50	115	115	150A	150	232	310	
65A	65	140	160	200A	200	294	380	
80A	80	158	180	250A	250	344	400	



## PTR-1F | 온도조절밸브(Temperature Regulating Valve)

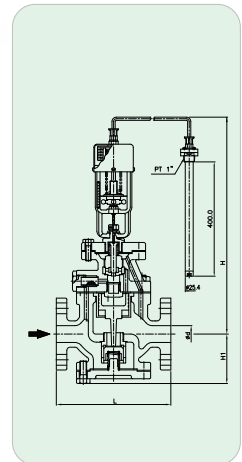
- 파이롯트식으로 작동이 예민하고 작동식에 비해 용량이 많습니다.
- 온도조절범위를 20℃로 구분제작하며 온도편차가 매우 적습니다.
- 연결동관은 후렉시블 튜브로 피복되어 있기때문에 파손될 염려가 없습니다.

### ▶ 사양 (Specifications)

Working Pressure (kgf/cm <sup>2</sup> g)	8
Temperature Range (°C)	40~120
Design Temperature (°C)	220
Working Fluid	Steam
Type	Pilot Acting
Connection	JIS 10K Flanged
Capillary Tube Length	2M, 5M (5M-주문생산)
Materials	Body : Ductile Iron
	Trim : Stainless Steel
	Sensor : Copper Tube

### ▶ 치수 (Dimensions)

Part / Size	15A	20A	25A	32A	40A	50A	65A	80A	100A
L	165	165	170	200	200	220	250	290	320
H1	75	75	75	85	85	92	110	130	150
H	490	490	490	500	500	510	530	555	570



### ▶ 온도조절범위 (Adjusting Range)

온도조절범위 (Adjusting)	최대허용범위 (Max.)
40~60℃	70℃
50~70℃	80℃
60~80℃	90℃
70~90℃	100℃
80~100℃	110℃
90~110℃	120℃

## DTR-1F | 온도조절밸브(Temperature Regulating Valve)

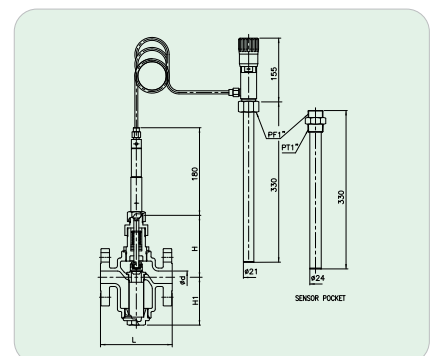
### ▶ 사양 (Specifications)

Working Pressure (kgf/cm <sup>2</sup> g)	10
Temperature Range (°C)	50~110
Design Temperature (°C)	220
Working Fluid	Steam
Type	Direct Acting Type
Connection	JIS 10K(16K) Flanged
Capillary Tube Length	3M, 5M (5M-주문생산)
Materials	Body : Ductile Iron, Cast Steel
	Trim : Stainless Steel
	Sensor : Copper Tube

### ▶ 치수 (Dimensions)

Size	15A	20A	25A
L	135	140	140
H1	65	65	70
H	122	122	127

※ 주문에 따라 Bronze 재질로 제작할 수 있습니다.



# Other Valves



## Globe Valve

GSO-1F ..... 52



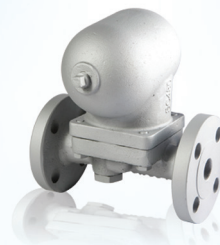
## Angle Valve

ASO-1F ..... 52



## Air Vent

AWW-1S, AWW-1SB(For Water) 53  
 AVS-1S(For Steam) ..... 54  
 AVO-1F/2F(For Oil) ..... 54



## Air Trap

FAT-1S/1F/2F/3F ..... 55



## Sight Glass

DUG-1S/1F/5F ..... 56



## Temperature Regulating Valve

PTR-1F(Pilot Acting) ..... 57  
 DTR-1F(Direct Acting) ..... 57

- \* The spins are operated up and down by the handle operation and seat protects the gate by blocking exposure
- \* The spins are operated up and down by the handle operation and seat protects the gate by blocking exposure and the fluid direction is 90°
- \* It is installed to remove air from a radiator or pipe to prevent an air painning for boiler plant
- \* It is an automatic valve to discharge condensed water and condensate of air compressor on a plumbing system after separating from compressed air
- \* Checking visually the fluid flow and leakage
- \* The temperature of object is being maintained constant when it is more than constant temperature after inserting hot water tank, heat exchanger, evaporator and etc into the control part of fluid supply tube for heating

# Other Valves

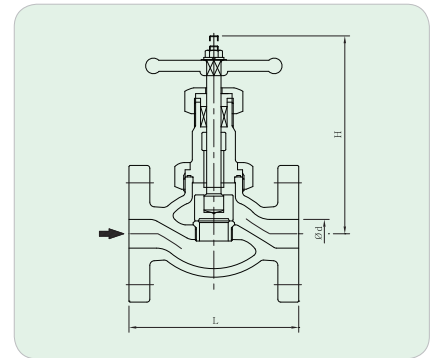
## GSO-1F | Globe Valve

### ► Specifications

Working Pressure (kgf/cm <sup>2</sup> g)	16
Working Temperature (°C)	220
Connection	JIS Flanged
Materials	Body : Ductile Iron
	Trim : Stainless Steel

### ► Dimensions

Model	Size	d	JIS 5K FF		JIS 16K FF	
			L	H	L	H
GSO-1F	15A	15	100	135	110	135
	20A	20	110	145	120	145
	25A	25	120	167	130	167
	32A	32	140	180	160	180
	40A	40	160	195	180	195



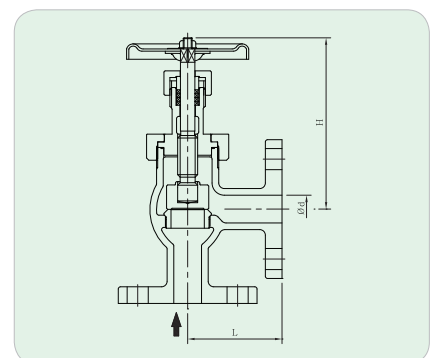
## ASO-1F | Angle Valve

### ► Specifications

Working Pressure (kgf/cm <sup>2</sup> g)	16
Working Temperature (°C)	220
Connection	JIS Flanged
Materials	Body : Ductile Iron
	Trim : Stainless Steel

### ► Dimensions

Model	Size	d	JIS 5K FF		JIS 16K FF	
			L	H	L	H
ASO-1F	15A	15	50	135	70	135
	20A	20	60	145	75	145
	25A	25	65	167	85	167
	32A	32	80	180	95	180
	40A	40	85	195	100	195



## AVW-1S | Air Vent for Water

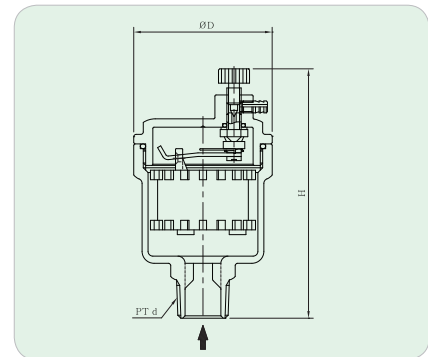
### ► Specifications

Working Pressure (kgf/cm <sup>2</sup> g)	10
Working Temperature (°C)	80
Working Fluid	Water
Connection	PT Screwed
Materials	Body : Forged Brass
	Trim : NBR



### ► Dimensions

Size	d	L	H	Connection
15A	PT 1/2"	58	105	PT Screwed



## AVW-1SB | Air Vent for Water

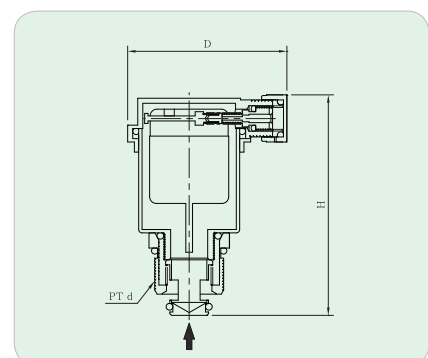
### ► Specifications

Working Pressure (kgf/cm <sup>2</sup> g)	10
Working Temperature (°C)	80
Working Fluid	Water
Connection	PT Screwed
Materials	Body : Forged Brass
	Trim : NBR



### ► Dimensions

Size	d	L	H	Connection
15A	PT 1/2"	58	65	PT Screwed



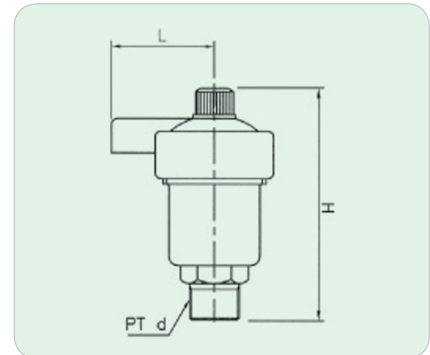
## AVS-1S | Air Vent for Steam

### ► Specifications

Working Pressure (kgf/cm <sup>2</sup> g)	10
Working Temperature (°C)	220
Working Fluid	Steam
Connection	PT Screwed
Materials	Body : Forged Brass
	Trim : Wax

### ► Dimensions

Size	d	L	H	Connection
15A	PT 1/2"	30	75	PT Screwed



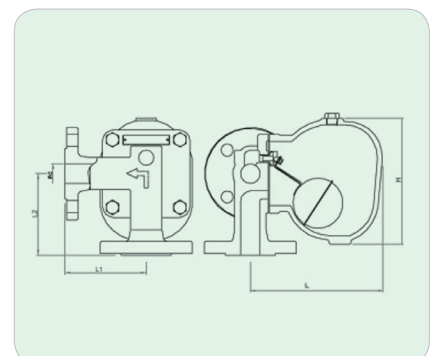
## AVO-1F/2F | Air Vent for Oil

### ► Specifications

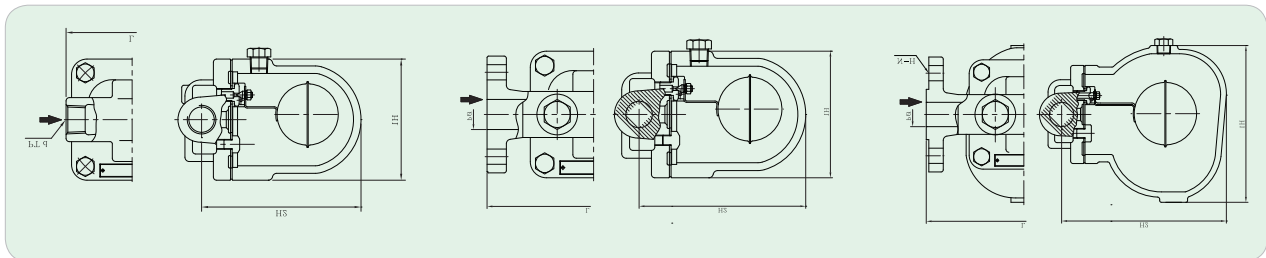
Model	AVO-1F	AVO-2F
Working Pressure (kgf/cm <sup>2</sup> g)	10	20
Working Temperature (°C)	220	220
Working Fluid	Oil, Water	Oil, Water
Connection	JIS Flanged	JIS Flanged
Materials	Body : Ductile Iron	Body : Cast Steel
	Trim : Stainless Steel	Trim : Stainless Steel

### ► Dimensions

Size	L	L1	L2	H	Connection
15A	220	105	105	185	JIS 16K, 20K Flanged
20A	220	105	105	185	
25A	220	105	105	185	



## FAT-1S/1F/2F/3F | Auto Air Trap



### ► Specifications

Model	FAT-1S	FAT-1F	FAT-2F	FAT-3F
Working Pressure (kgf/cm <sup>2</sup> g)	10	10	20	30
Working Temperature (°C)	100	100	100	100
Connection	PT Screwed	JIS Flanged	JIS Flanged	JIS Flanged
Materials	Body : Ductile Iron	Body : Ductile Iron	Body : Cast Steel Stainless Steel	Body : Cast Steel Stainless Steel
	Trim : Stainless Steel	Trim : Stainless Steel	Trim : Stainless Steel	Trim : Stainless Steel

### ► Dimensions

Model	Size	d	L	H1	H2	Connection
FAT-1S	15A	PT 1/2"	120	110	170	PT Screwed
	20A	PT 3/4"	120	110	170	
	25A	PT 1"	120	195	220	
FAT-1F	15A	15	205	110	155	JIS 10K Flanged
	20A	20	205	110	155	
	25A	25	215	185	190	
FAT-2F	15A	15	205	185	190	JIS 20K Flanged
	20A	20	205	185	190	
	25A	25	215	185	190	
FAT-3F	15A	15	205	185	190	JIS 30K Flanged
	20A	20	205	185	190	
	25A	25	215	185	190	

※ FAT-2F/3F : ANSI and DIN Flange are available upon request

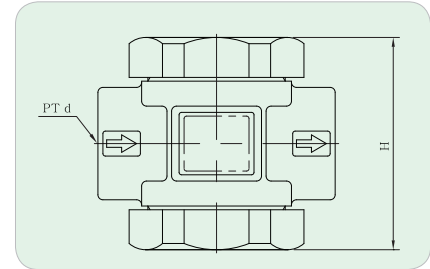
## DUG-1S | Sight Glass

### ► Specifications

Working Pressure (kgf/cm <sup>2</sup> g)	10
Working Temperature (°C)	150
Type	Flapper
Connection	PT Screwed
Materials	Body : Ductile Iron
	Trim : Stainless Steel

### ► Dimensions

Size	d	L	H
15A	PT 1/2"	90	85
20A	PT 3/4"	90	85
25A	PT 1"	90	85



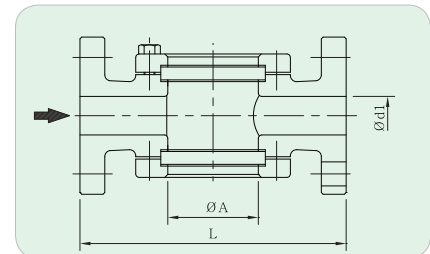
## DUG-1F | Sight Glass

### ► Specifications

Working Pressure (kgf/cm <sup>2</sup> g)	10
Working Temperature (°C)	150
Type	Flapper
Connection	JIS 10K Flanged
Materials	Body : Ductile Iron
	Trim : Stainless Steel

### ► Dimensions

Size	d	L	A	Size	d	L	A	Connection
15A	15	150	40	32A	32	175	65	
20A	20	150	40	40A	40	200	65	
25A	25	170	50	50A	50	220	80	



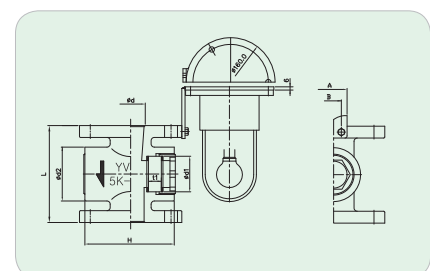
## DUG-5F | Sight Glass

### ► Specifications

Working Pressure (kgf/cm <sup>2</sup> g)	5
Working Temperature (°C)	150
Working Fluid	Water, Oil
Connection	JIS 5K Flanged
Materials	Body : Cast Iron
	Trim : Heat Treatment Glass

### ► Dimensions

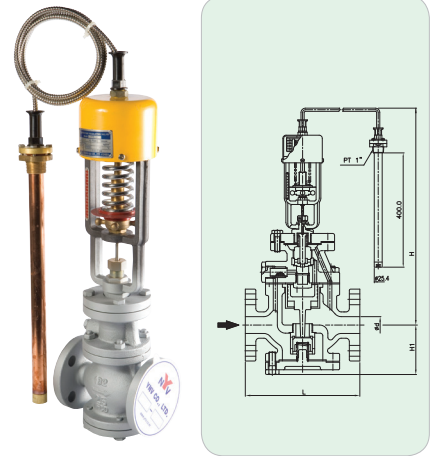
Size	d	H	L	Size	d	H	L	Connection
25A	25	86	90	100A	100	178	210	
40A	40	102	100	125A	125	208	245	
50A	50	115	115	150A	150	232	310	
65A	65	140	160	200A	200	294	380	
80A	80	158	180	250A	250	344	400	



## PTR-1F | Temperature Regulating Valve

### ► Specifications

Working Pressure (kgf/cm <sup>2</sup> g)	8
Temperature Range (°C)	40~120
Working Temperature (°C)	220
Working Fluid	Steam
Type	Pilot Acting
Connection	JIS 10K Flanged
Capillary Tube Length	2M, 5M (5M—upon request)
Materials	Body : Ductile Iron
	Trim : Stainless Steel
	Sensor : Copper Tube



### ► Adjusting Range

Adjusting	Max.
40~60°C	70°C
50~70°C	80°C
60~80°C	90°C
70~90°C	100°C
80~100°C	110°C
90~110°C	120°C

### ► Dimensions

Part / Size	15A	20A	25A	32A	40A	50A	65A	80A	100A
L	165	165	170	200	200	220	250	290	320
H1	75	75	75	85	85	92	110	130	150
H	490	490	490	500	500	510	530	555	570

## DTR-1F | Temperature Regulating Valve

### ► Specifications

Working Pressure (kgf/cm <sup>2</sup> g)	10
Temperature Range (°C)	50~110
Working Temperature (°C)	220
Working Fluid	Steam
Type	Direct Acting Type
Connection	JIS 10K(16K) Flanged
Capillary Tube Length	3M, 5M (5M—upon request)
Materials	Body : Ductile Iron, Cast Steel
	Trim : Stainless Steel
	Sensor : Copper Tube

### ► Dimensions

Size	15A	20A	25A
L	135	140	140
H1	65	65	70
H	122	122	127

